

12" bul.it™ ceiling spec sheet 90CRI

material

housing

precision CNC spun .063" aluminum parabolic housing with rolled bottom edge for added strength.
 15 standard powder coat paint finishes.

array platform

.080" spun aluminum.

bottom lens (optional)

.125" P95 frosted flat acrylic with 3 finger holes. recesses slightly into fixture.

optics

.050" spun aluminum conical reflector finished in high reflectance (>92%) matte white powder coat.

LED module

COB array in 2700K, 3000K, 3500K, or 4000K. (call factory for 5000K) (90+ cri standard). under normal operating conditions, the LEDs employed are rated for >50,000hrs L70 (6.8K) per IES TM-21 from LM-80 test data.

driver

integral, programmable, UL class P, class 2, universal input (120-277v), constant current, 0-10v dimming, 1% minimum dimming level, PF >.9, THD <20%, protections include open and short circuit, overload and over temperature.

mounting

designed to mount to 4 inch octagon junction box (by other). consult factory for installation instructions.

finish

select from standard powder coat paint finishes or specify RAL# for custom colors.

emergency

recommend use of inverter (by other). optional WREM: wired for remote EM battery (by other).



catalog number

| | | | | |
|-------|--|--|--|--|
| C3312 | | | | |
|-------|--|--|--|--|

| size | CCT | lumens | painting finish | options |
|--|-----------------|---|--------------------------|---|
| C3312 12" dia X 13.75"ht see page 2 for info on C3316 | 27 2700K | FX 960 lm | AP anodized paint | BL Bottom lens |
| | 30 3000K | LO 1915 lm | BS brass | DRA amber decorative ring |
| | 35 3500K | HI 3065 lm | BU blue | DRB blue decorative ring |
| | 40 4000K | CL* xxxx lm <small>*custom lumens consult factory</small> | BZ bronze | DRF frost decorative ring |
| | | | CP champagne | DRG green decorative ring |
| | | | FB flat black | DRR red decorative ring |
| | | | GM gun metal | DRY yellow decorative ring |
| | | | MB military blue | WREM wired for remote EM battery pack (by other) (see note above) |
| | | | MW matte white | ELD EldoLED* |
| | | | OR orange | LUT Lutron* <small>*consult factory</small> |
| | | | RD red | |
| | | | SB satin black | |
| | | | SS satin silver | |
| | | | TG textured gray | |
| | | | YO yellow | |

premium finish

RAL specify RAL#



job name:
 type:

16" bul.it™ ceiling spec sheet 90CRI

material

housing

precision CNC spun .063" aluminum parabolic housing with rolled bottom edge for added strength.
 15 standard powder coat paint finishes.

array platform

.080" spun aluminum.

bottom lens (optional)

.125" P95 frosted flat acrylic with 3 finger holes. recesses slightly into fixture.

optics

.050" spun aluminum conical reflector finished in high reflectance (>92%) matte white powder coat.

LED module

COB array in 2700K, 3000K, 3500K, or 4000K. (call factory for 5000K) (90+ cri standard). under normal operating conditions, the LEDs employed are rated for >50,000hrs L70 (6.8K) per IES TM-21 from LM-80 test data.

driver

integral, programmable, UL class P, class 2, universal input (120-277v), constant current, 0-10v dimming, 1% minimum dimming level, PF >.9, THD <20%, protections include open and short circuit, overload and over temperature.

mounting

designed to mount to 4 inch octagon junction box (by other). consult factory for installation instructions.

finish

select from standard powder coat paint finishes or specify RAL# for custom colors.

emergency

recommend use of inverter (by other). optional WREM: wired for remote EM battery (by other).



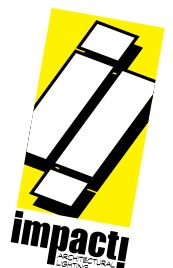
catalog number

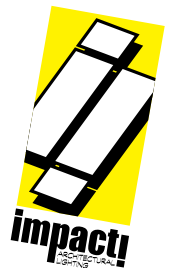
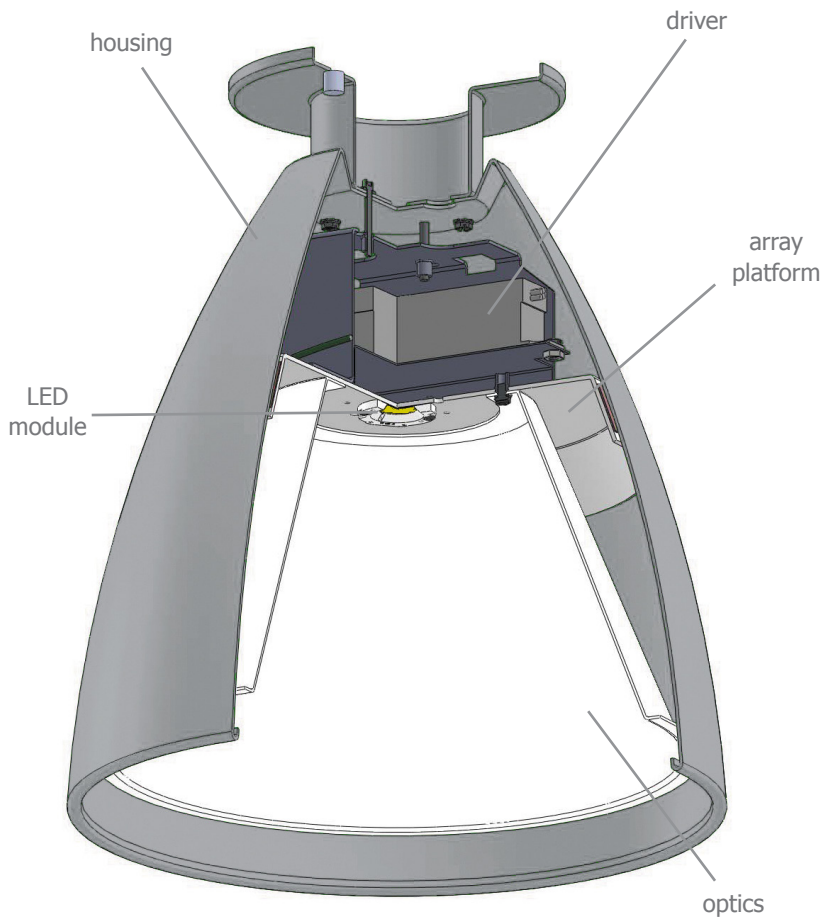
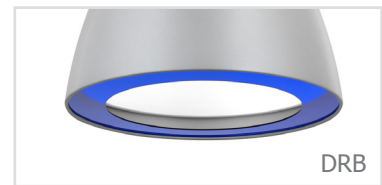
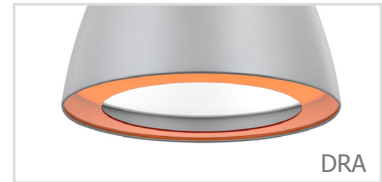
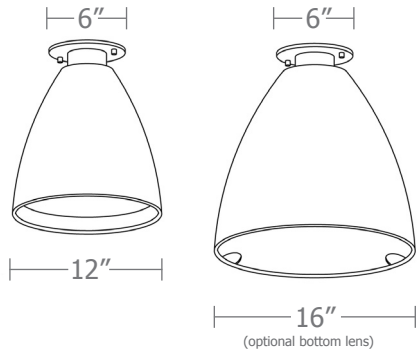
| | | | | |
|-------|--|--|--|--|
| C3316 | | | | |
|-------|--|--|--|--|

| size | CCT | lumens | painted finish | options |
|-----------------------------------|-----------------|---|--------------------------|---|
| C3316 16" dia X 16.5"ht | 27 2700K | FX 1600 lm | AP anodized paint | BL Bottom lens |
| | 30 3000K | LO 2620 lm | BS brass | DRA amber decorative ring |
| | 35 3500K | HI 3000 lm | BU blue | DRB blue decorative ring |
| | 40 4000K | HX 3885 lm | BZ bronze | DRF frost decorative ring |
| | | CL* xxxx lm <small>*custom lumens consult factory</small> | CP champagne | DRG green decorative ring |
| | | | FB flat black | DRR red decorative ring |
| | | | GM gun metal | DRY yellow decorative ring |
| | | | MB military blue | WREM wired for remote EM battery pack <small>(by other) (see note above)</small> |
| | | | MW matte white | ELD EldoLED* |
| | | | OR orange | LUT Lutron* <small>*consult factory</small> |
| | | | RD red | |
| | | | SB satin black | |
| | | | SS satin silver | |
| | | | TG textured gray | |
| | | | YO yellow | |

premium finish

RAL specify RAL#

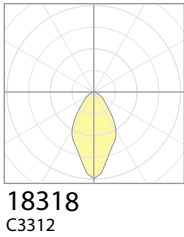




Calculation Table

The application of a Light Loss Factor is required to:

- match the lumen output for the power module specified
- incorporate the increased lumen output due to LED/Driver upgrades



| Cat No | Delivered* Lumens | Watts 120V / 277V | IES File # | LLF to be applied |
|-----------------|-------------------|-------------------|---------------------|-------------------|
| C3312 FX | 960 | 10 | 18319 open | .35 |
| | | | 18318 lensed | .34 |
| C3312 LO | 1915 | 21 | 18319 open | .70 |
| | | | 18318 lensed | .67 |
| C3312 HI | 3065 | 33 | 18319 open | 1.12 |
| | | | 18318 lensed | 1.07 |
| C3316 FX | 1600 | 19 | 18611 open | .50 |
| | | | 18612 lensed | .48 |
| C3316 LO | 2620 | 29 | 18611 open | .82 |
| | | | 18612 lensed | .79 |
| C3316 HI | 3000 | 33 | 18611 open | .94 |
| | | | 18612 lensed | .91 |
| C3316 HX | 3885 | 40 | 18611 open | 1.22 |
| | | | 18612 lensed | 1.18 |

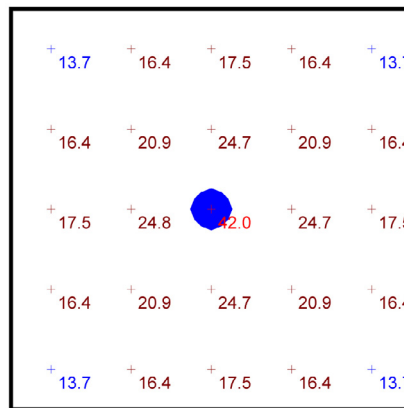
*delivered lumens based on 4000K, 90+ cri

Typical Lighting Layout

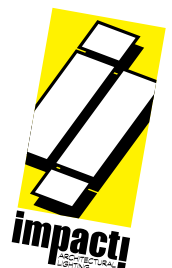
| Schedule | | | | | | |
|----------|-----|-------------------------------|----------------|--|-----------------|---------|
| Symbol | QTY | Manufacturer | Catalog Number | Description | Lamp | Wattage |
| | 1 | Impact Architectural Lighting | C3312 40 HI | 12" dia. ceiling mount bul.it luminaire w/ open bottom | 4000k 90cri LED | 32 |

- 10' x 10' x 13'H space
- 80/50/20 reflectances
- bottom of fixture at 12' aff
- FC readings at 2.5' aff
- layout conducted using C3312 HI output 90 CRI (3065 delivered lumens)-BL

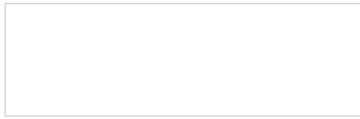
| Statistics | | | | | | |
|----------------|--------|---------|---------|---------|---------|---------|
| Description | Symbol | Avg | Max | Min | Max/Min | Avg/Min |
| bul.it ceiling | + | 19.2 fc | 42.0 fc | 13.7 fc | 3.1:1 | 1.4:1 |



Plan View
Scale - 1" = 2ft



Powder Coat Paint Finishes



MW matte white



AP anodized paint



SS satin silver



TG textured gray



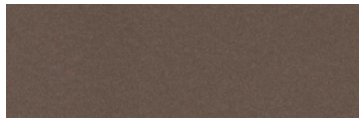
FB flat black



SB satin black



CP champagne



BZ bronze



GM gun metal



OR orange 2011



BU blue 5017



BS brass



RD red 3020



YO yellow 1018



MB military blue

For accurate color verification, actual finish samples are available upon request.

Premium Finishes*



RAL#

*Available on select series. Consult product submittal for availability.

